

# Installation

## Floor-standing Signage Installation

The images below are for reference only, please refer to the actual device for details.

### Prerequisites

Purchase the casters as needed.

### Procedure

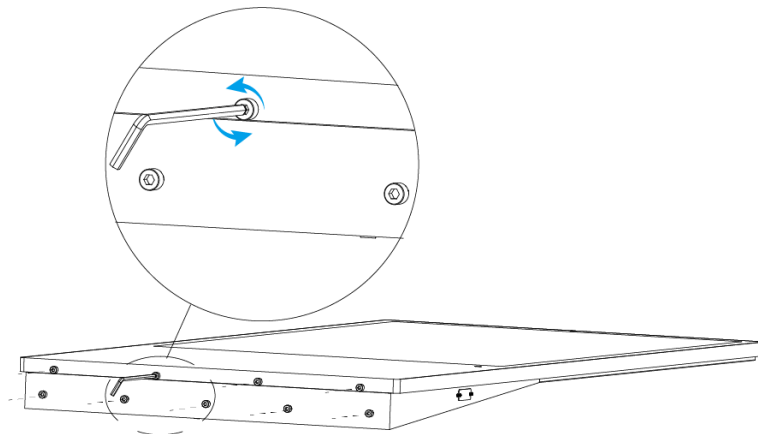
**Step 1** Open the package, and then take out the signage, base, base fasteners, casters, screws and Allen wrench.



Only 75-inch signage includes the base fastener.

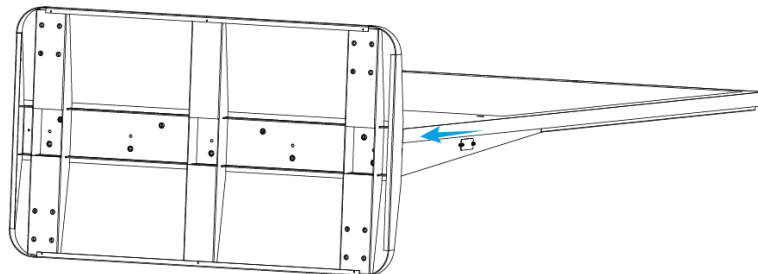
**Step 2** Use the Allen wrench to remove the screws at the bottom of the Signage.

Figure 1-1 Remove the screws



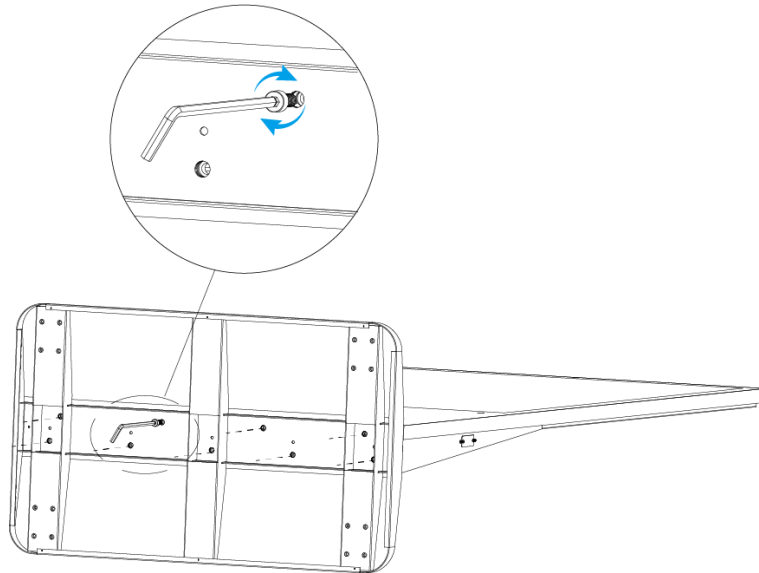
**Step 3** Insert the Signage into the base.

Figure 1-2 Insert into the base



**Step 4** Use the allen wrench to tighten the screws.

Figure 1-3 Tighten the screws

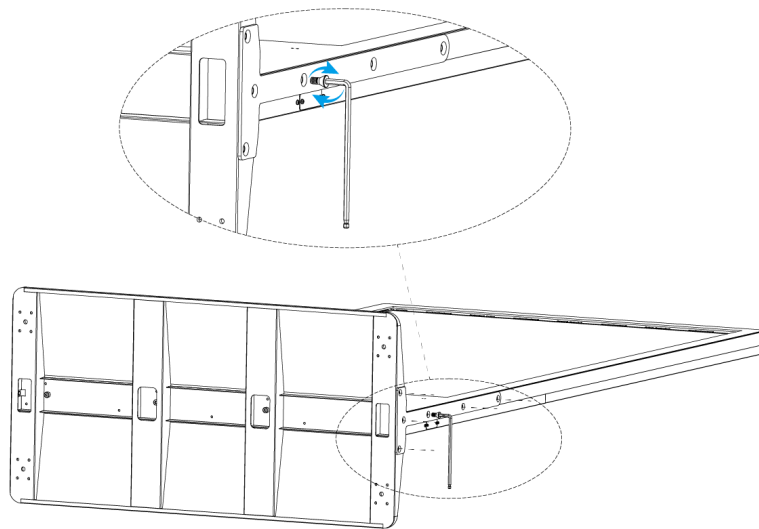


Step 5 Attach the base fastener to both sides of the Signage, and then use screws to secure the base fastener to the Signage.



This step is available for 75-inch signage.

Figure 1-4 Attach the base fastener



Step 6 (Optional) Use the screws to install the casters onto the base of the Signage.

Figure 1-5 Install the casters

